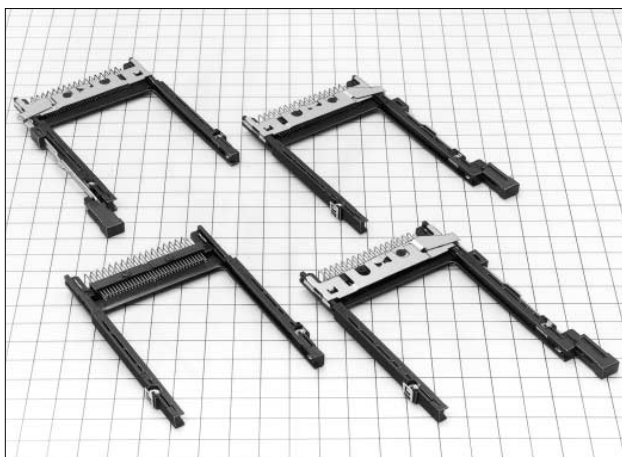


Single Slot Connector for PC Card Type III

IC7 Series



■ Features

1. PC Card Standard compliant:

Type I, type II and type III cards are covered. Terminals for grounding are provided.

2. Space saving and Lightweight

Connector height is minimized to 5.4mm, and weight is 12.5g.

3. Eject mechanism

Hirose's unique ejection mechanism provides an higher degree of card ejection over existing products.

■ Product Specifications

Rating	Current rating	0.5 A	Operating temperature range	-55°C to +85°C (Note 1)	Storage temperature range	-40°C to +70°C (Note 2)
	Voltage rating	125V AC	Operating humidity range (No condensation)	Relative humidity 95% max.	Storage humidity range	Relative humidity 40% to 70%

Item	Specification	Conditions
1. Insulation resistance	1000 MΩ min.	500 V DC
2. Withstanding voltage	No flashover or insulation breakdown	500 V AC / 1 minute
3. Contact resistance	40 mΩ max. (Initial value)	1mA
4. Vibration	No electrical discontinuity of 100ns or more	Frequency: 10 to 2000 Hz, full amplitude of 1.52 mm or acceleration of 147m/s ² , 4 hours in each of the 3 directions
5. Humidity (Steady state)	Insulation resistance: 100 MΩ min.	96 hours at temperature of 40°C and humidity of 90% to 95%
6. Temperature cycle	No damage, cracks, or parts looseness	Temperature: -55°C → +15°C to +35°C → +85°C → +15°C to +35°C Time: 30 → 5 max. → 30 → 5 max. (Minutes) 5 cycles
7. Durability (insertion/ withdrawal)	Contact resistance: 20 mΩ max. from initial value	10000 cycles at 400 to 600 cycles per hour
8. Resistance to soldering heat	No deformation of the insulator parts affecting performance	Manual soldering: 300°C for 3 seconds

Note 1: Includes temperature rise caused by current flow.

Note 2: The term "storage" refers to products stored for long period of time prior to mounting and use. Operating Temperature Range and Humidity range covers non- conducting condition of installed connectors in storage, shipment or during transportation.

■ Material

Part		Material	Finish	Remarks
Insulator	Connector	PBT	Color: Black	UL94V-0
	Eject Button	PA	Color: Black	UL94V-0
Contact	Connector	Brass	Contact area: gold plating	—
			Lead area: Solder plating	—
	Terminals for grounding	Phosphor bronze	Gold plating	—
	Eject metal fitting	Stainless steel	—	—
	Locking pins	Phosphor bronze	Solder plating	—
	Nuts	Steel	Nickel plating	—

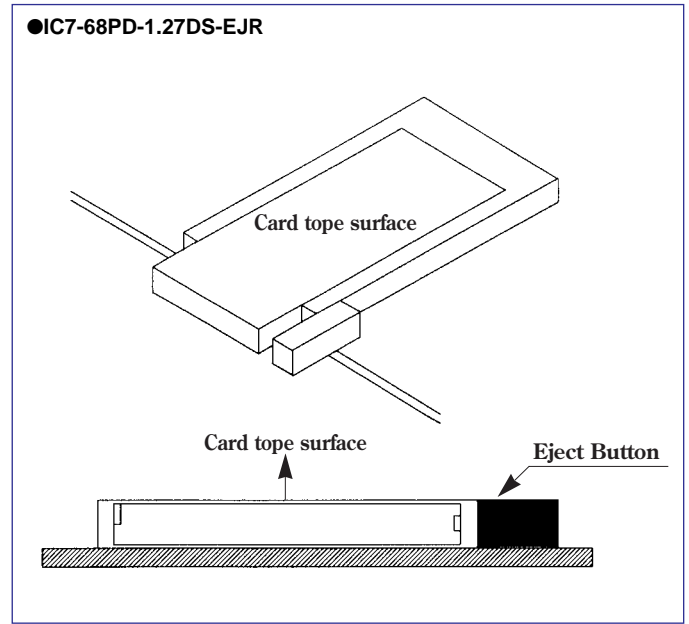
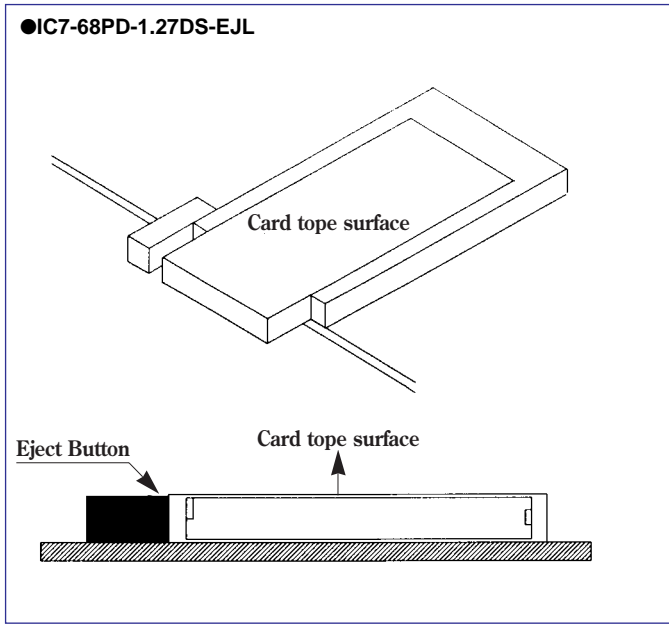
■ Ordering Information

1 2 3 4 5 6

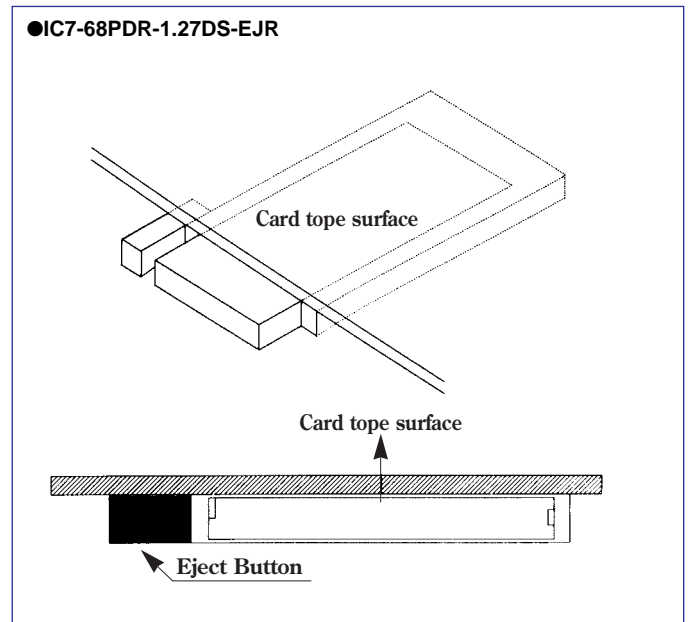
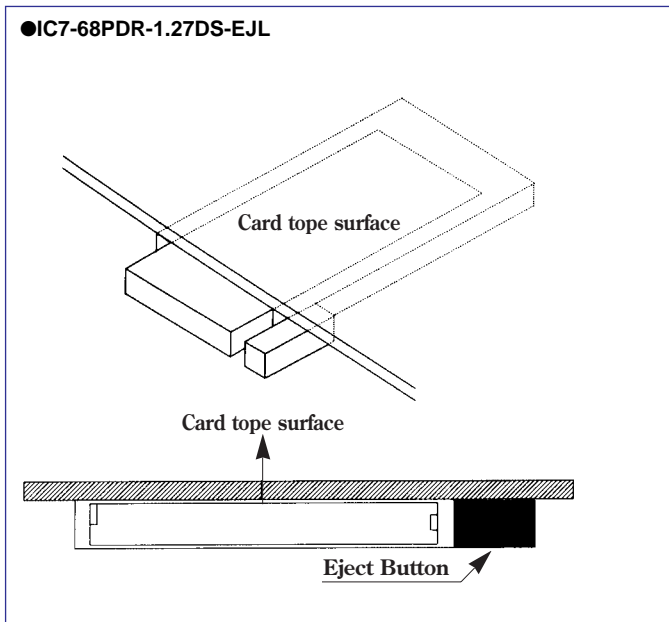
1	Series Name : IC7
2	Number of contacts : 68
3	Board mounting type PD : Standard PDR : Reverse
4	Contact pitch : 1.27mm
5	Board Mounting Type DS : Right angle Dip
6	Ejector type No letter: Without Eject Button EJR : Right Eject Button EJL : Left Eject Button

◆ Examples of Connector Mounting

Standard type



Reverse type



Single Slot Connector

● Right Eject Button

● Standard type, Reverse type

Standard

IC7-68PD-1.27DS-EJR
 CL640-0401-0

Reverse 4

IC7-68PDR-1.27DS-EJR
 CL640-0402-2

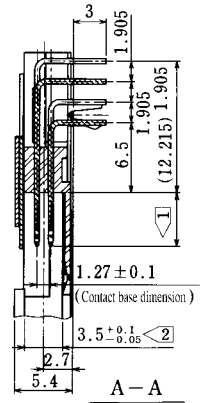
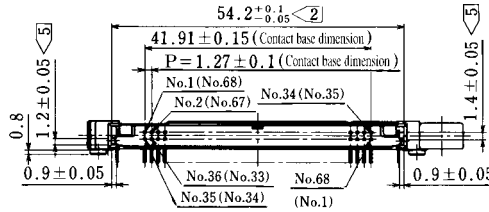
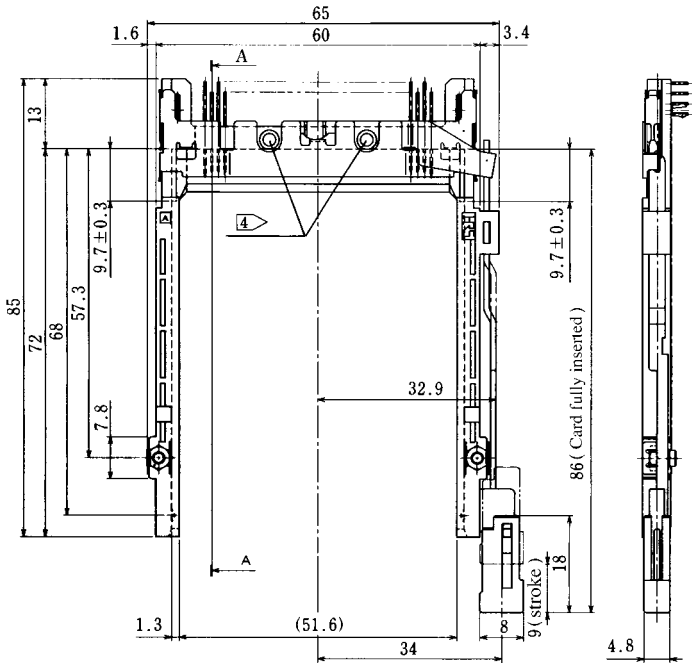


Table 1 1

Contact No.	Contact Length
1, 17, 34, 35, 51, 68	5.0 ± 0.1
36, 67	3.5 ± 0.1
Other than above	4.25 ± 0.1

Note 1 The contacts length is indicated in Table 1.

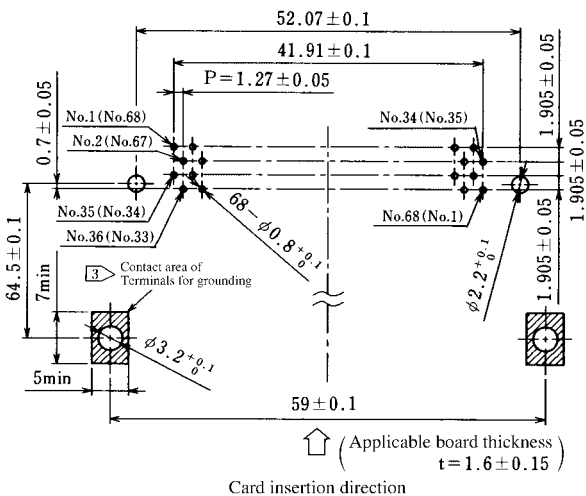
2 The applicable range of indicated dimensions ($54.2^{+0.1}_{-0.05}$, $3.5^{+0.1}_{-0.05}$) are taken as 10mm from the bottom.

3 The terminal for grounding should be securely fastened from the bottom surface of the board using a screw (M2×0.4), flat washer and lock washer.

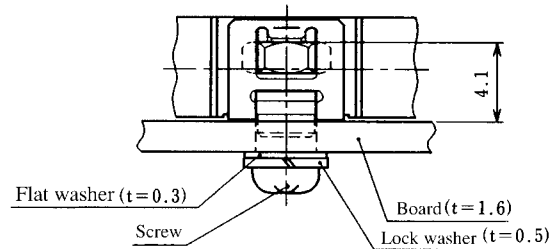
4 Pay attention to the Contact No. since the reverse type is marked "R". See the numbers in parentheses () for the Contact No. of the reverse type.

5 The guide groove dimensions of the reverse type are left-right reversed.

PCB mounting pattern



Example of Screw Fastening (Recommendation)



Single Slot Connector

● Left Eject Button

● Standard type, Reverse type

Standard

IC7-68PD-1.27DS-EJL
 CL640-0403-5

Reverse ④

IC7-68PDR-1.27DS-EJL
 CL640-0404-8

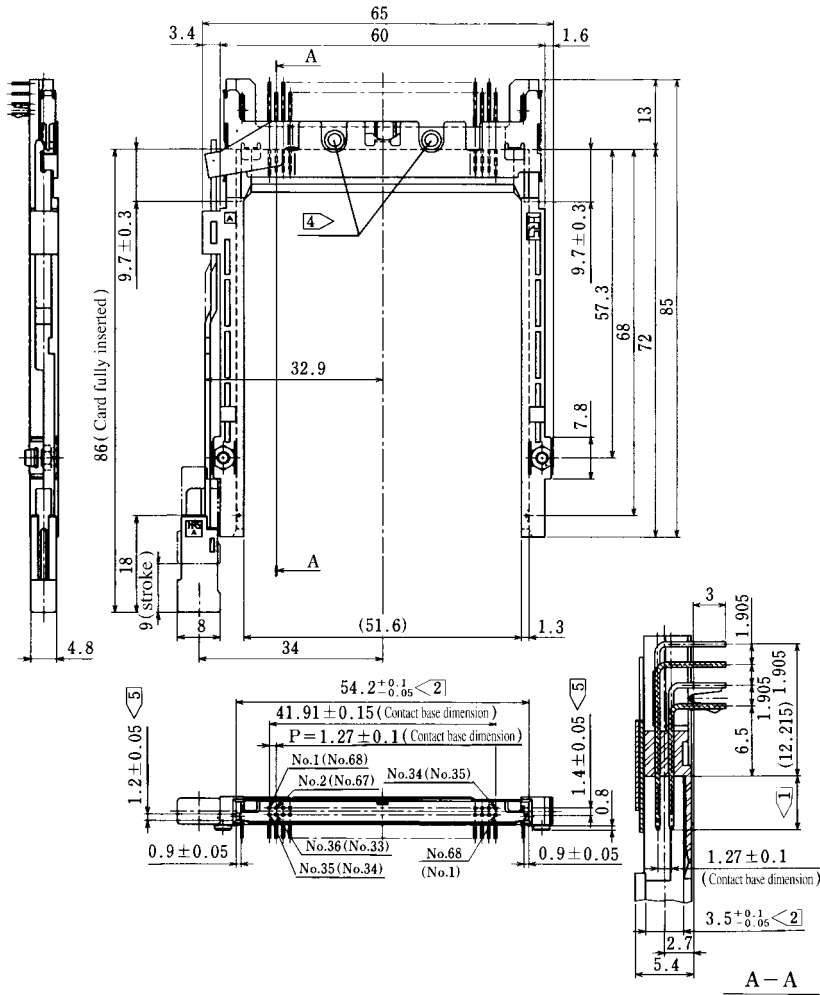


Table 1 ①

Contact No.	Contact Length
1, 17, 34, 35, 51, 68	5.0 ± 0.1
36, 67	3.5 ± 0.1
Other than above	4.25 ± 0.1

Note ① The contacts length is indicated in Table 1.

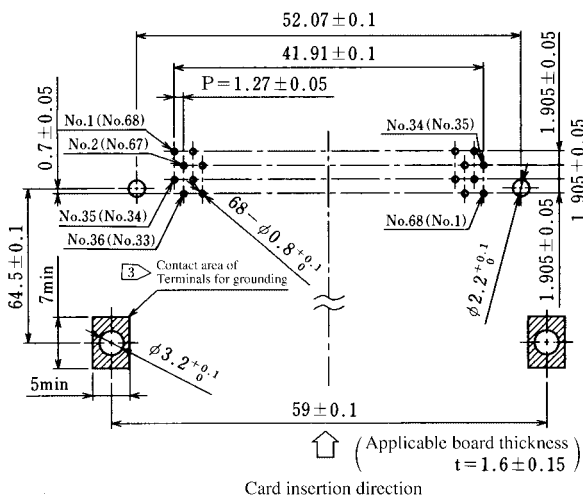
② The applicable range of indicated dimensions (54.2^{+0.1}_{-0.05}, 3.5^{+0.1}_{-0.05}) are taken as 10mm from the bottom.

③ The terminal for grounding should be securely fastened from the bottom surface of the board using a screw (M2×0.4), flat washer and lock washer.

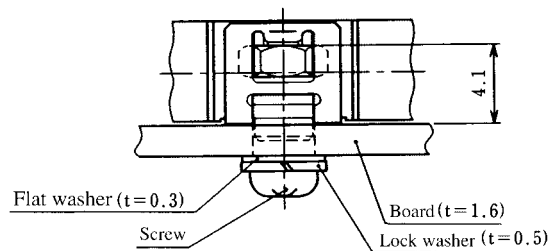
④ Pay attention to the Contact No. since the reverse type is marked "R". See the numbers in parentheses () for the Contact No. of the reverse type.

⑤ The guide groove dimensions of the reverse type are left-right reversed.

PCB mounting pattern



Example of Screw Fastening (Recommendation)



Single Slot Connector

Without Eject Button

Standard type

IC7-68PD-1.27DS
 CL640-0405-0

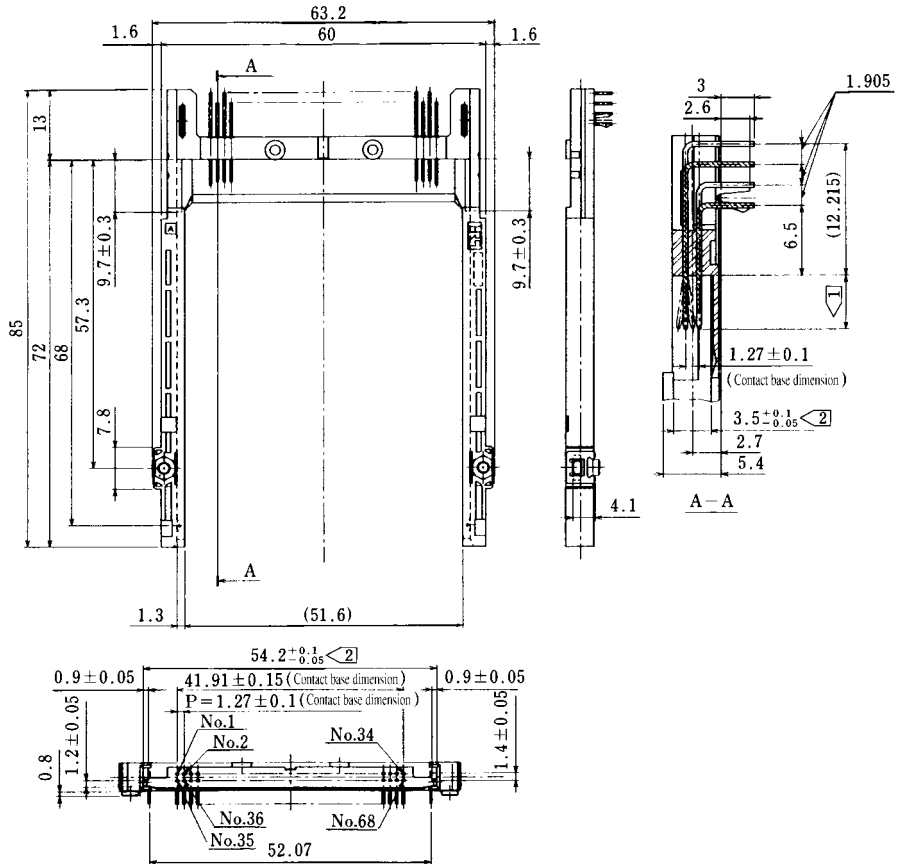


Table 1 ①

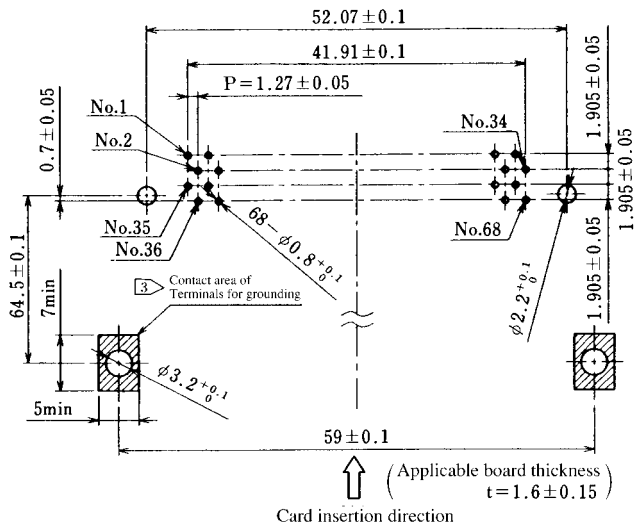
Contact No.	Contact Length
1, 17, 34, 35, 51, 68	5.0 ± 0.1
36, 67	3.5 ± 0.1
Other than above	4.25 ± 0.1

Note ① The contacts length is indicated in Table 1.

② The applicable range of indicated dimensions (54.2^{+0.1}_{-0.05}, 3.5^{+0.1}_{-0.05}) are taken as 10mm from the bottom.

③ The terminal for grounding should be securely fastened from the bottom surface of the board using a screw (M2×0.4), flat washer and lock washer.

PCB mounting pattern



Example of Screw Fastening (Recommendation)

